



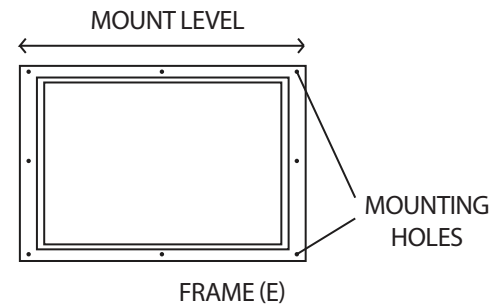
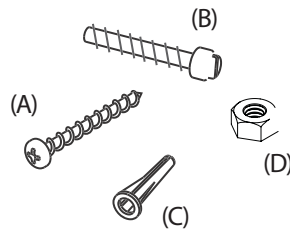
Crawl Space Door Covers

TOOLS NEEDED TO COMPLETE INSTALLATION

- Power Drill
- 1/4" Masonry Bit
- Phillips Head Screwdriver
- Hammer
- Level

INCLUDED IN YOUR DOOR KIT

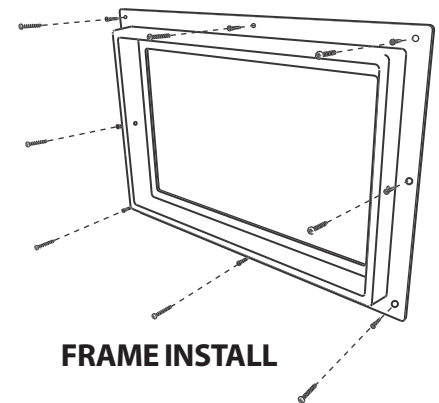
- (A) Screws
- (B) Threaded Nylon Pins
- (C) Anchors
- (D) Nuts
- (E) Frame
- (F) Cover



INSTALLATION STEPS

FRAME INSTALLATION

1. BALANCE frame (E) centered over crawl space opening. With frame (E) in place, drill top center hole.
2. INSERT anchor (C) into hole in wall.
3. Secure top center screw (A)
4. LEVEL frame. With frame held in place, drill remaining holes.
5. INSERT remaining anchors (C) into wall.
6. Secure all screws (A).



COVER INSTALLATION

1. PLACE cover (F) over frame.
2. SECURE on sides with threaded nylon pins (B).

