

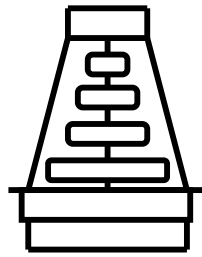


## Freeze Relief

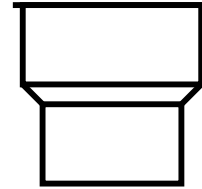
**FREEZE RELIEF KIT INCLUDES ONE (1) EACH:**



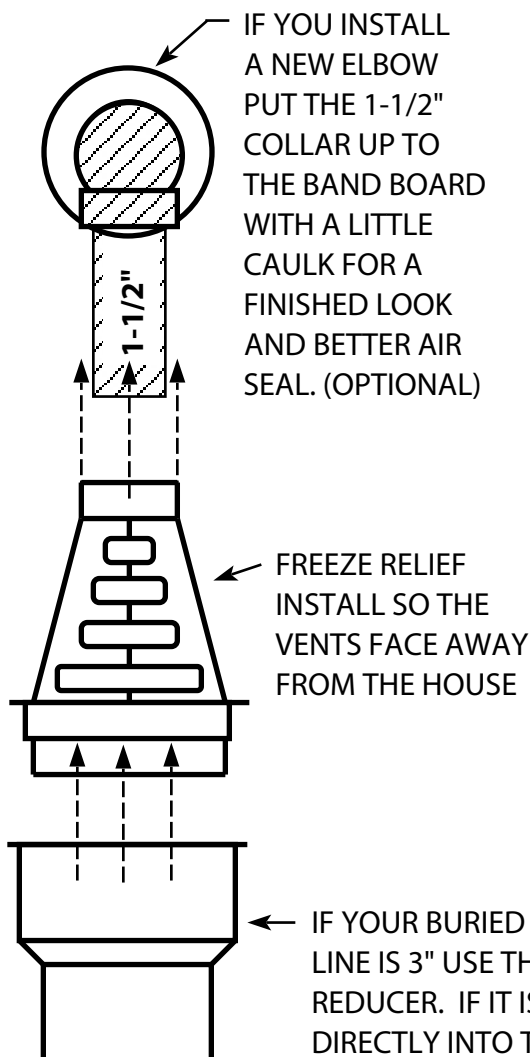
1-1/2" COLLAR



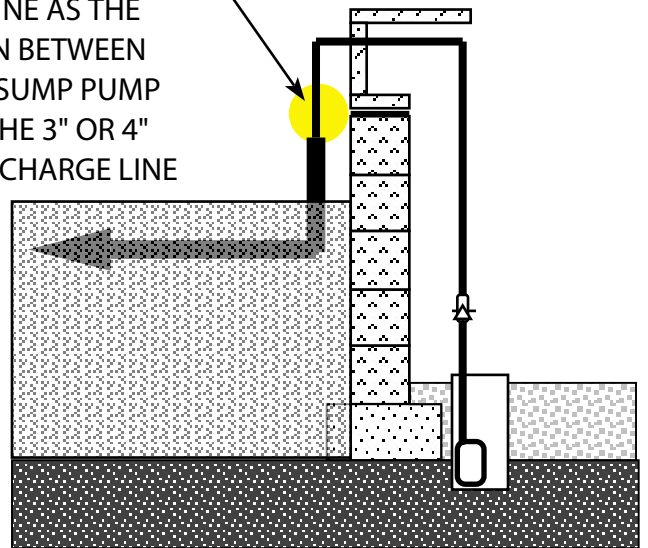
FREEZE RELIEF



4" TO 3" REDUCER



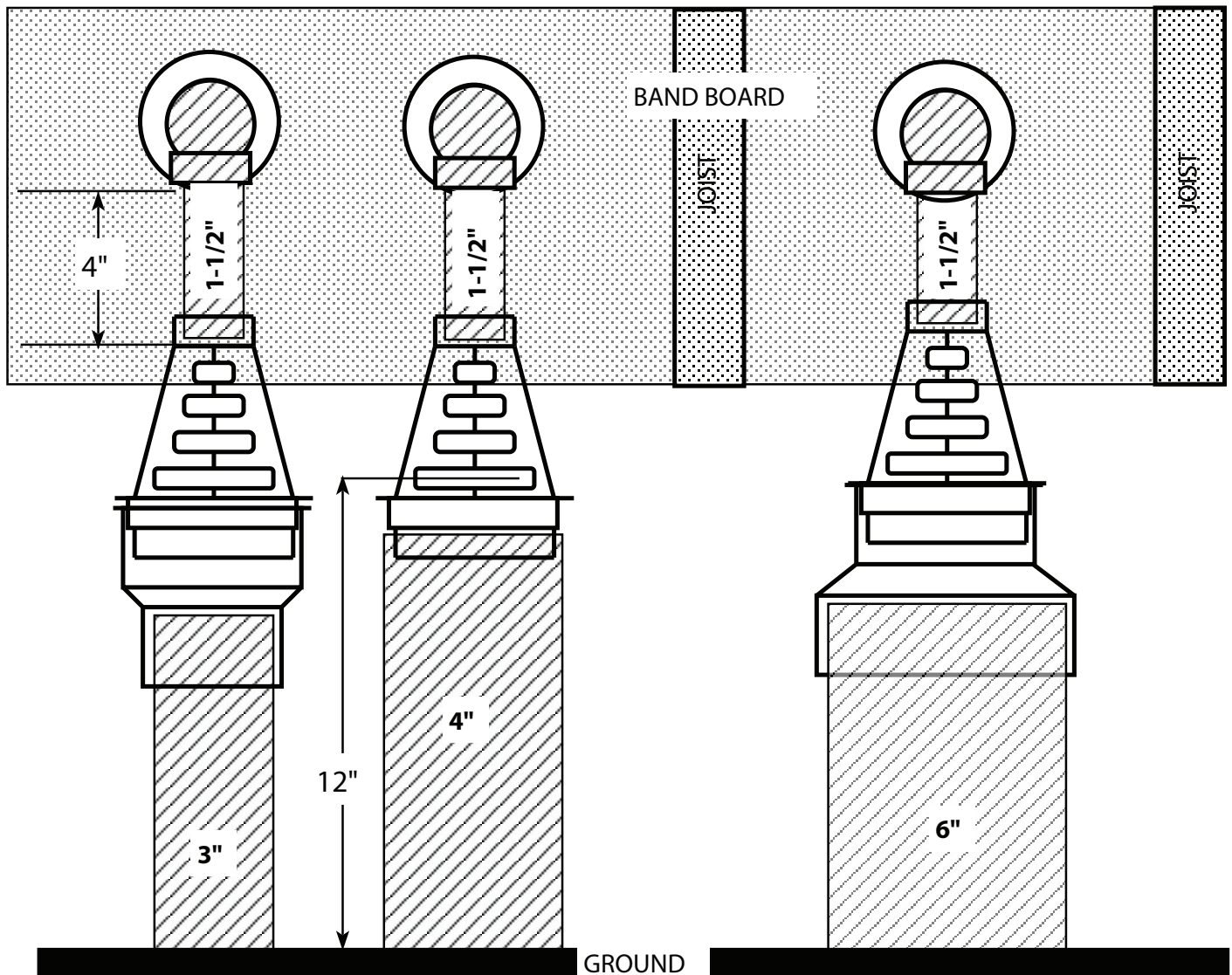
INSTALL FREEZE RELIEF IN-LINE AS THE TRANSITION BETWEEN THE 1-1/2" SUMP PUMP LINE AND THE 3" OR 4" BURIED DISCHARGE LINE





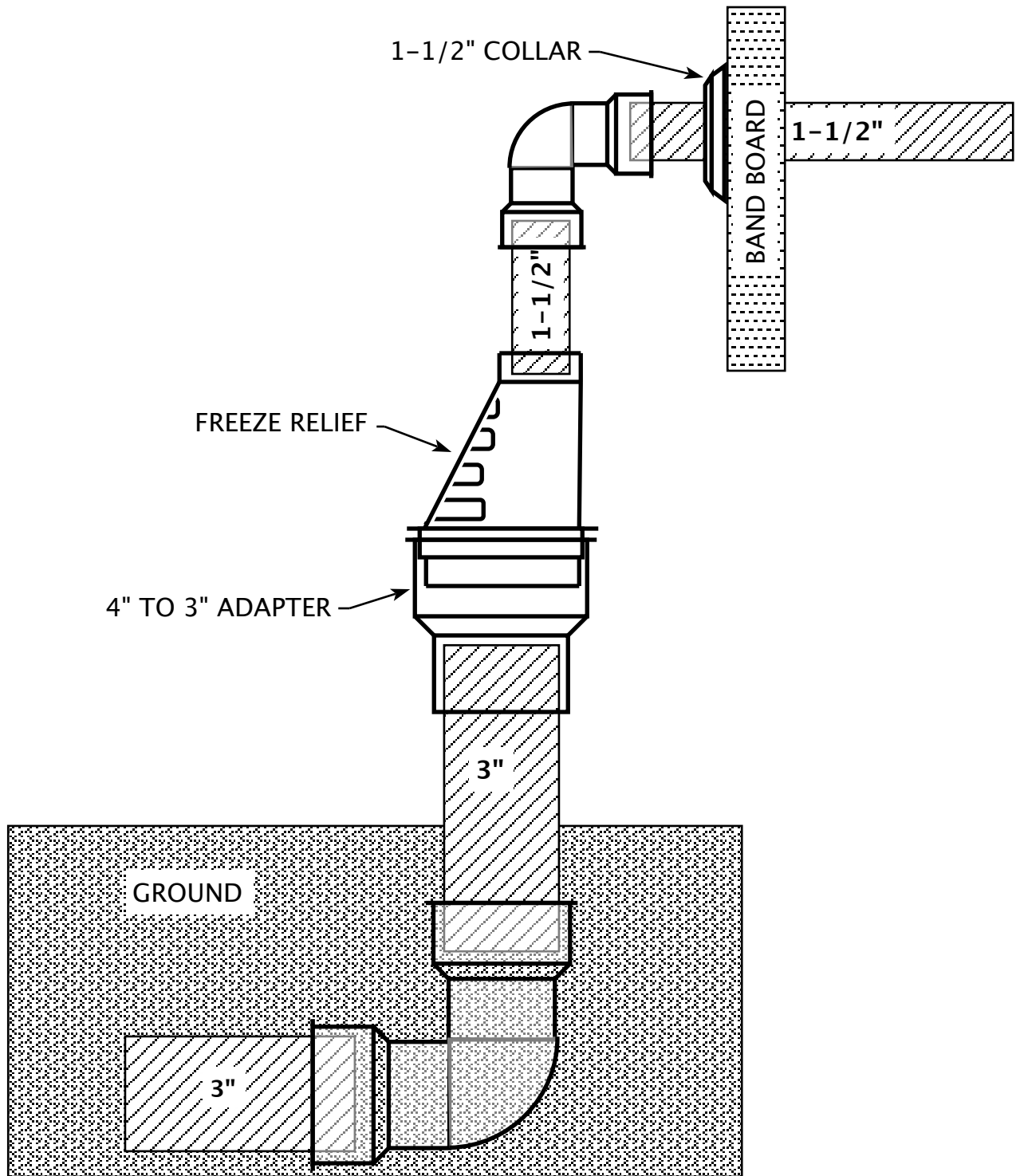
## RECOMENDED FREEZE RELIEF SET UP OPTIONS

(Pipe size listed on each pipe)



FREEZE RELIEF IS DESIGNED TO GIVE YOUR SUMP PUMP SYSTEM A WAY FOR WATER TO ESCAPE IN CASE THE BURIED DISCHARGE LINE FREEZES. THE MORE DISTANCE BETWEEN THE FREEZE RELIEF VENTS AND THE GROUND THE BETTER.

WE RECOMMEND INSTALLING THE TOP OF THE FREEZE RELIEF ABOUT 4" BELOW ELBOW. (WHY? BECAUSE ANYTHING SHORTER IS TOO HARD.) AND, INSTALLING THE FREEZE RELIEF WITH AT LEAST 12" CLEARANCE ABOVE THE GROUND. (WHY? BECAUSE 12" IS BETTER THAN 10," AND 10" IS BETTER THAN 8.")





We **Do Not** Recomend  
These Freeze Relief Sets Ups  
(Pipe Size Listed On Each Pipe)

